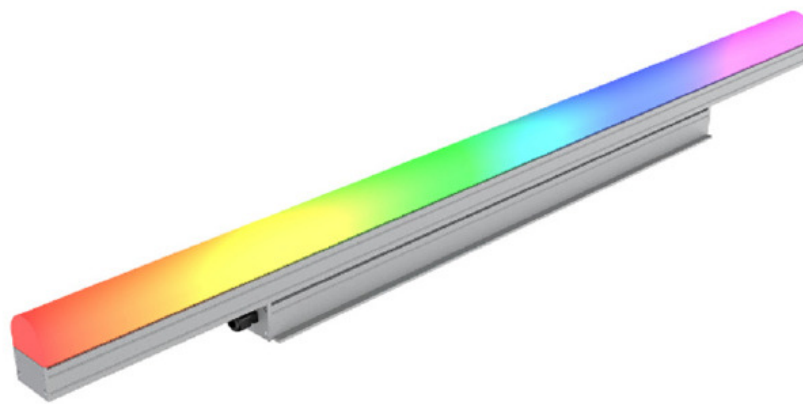


# INSTRUCTIONS MANUAL



### Specifications:

<b>Series</b>	<b>Maya</b>
<b>Input Voltage</b>	120-277V
<b>Power</b>	10.4W @400mm, 15.6W@600mm, 23.4W@900mm, 31.2W @1200mm
<b>IP Rating:</b>	IP66
<b>Operating Temp:</b>	10°C to 50°C
<b>Max. Power Linking</b>	1870W @Europe 1020W @USA
<b>Max. run length includes power feed and extension cables to the end of the fixtures in the daisy chain</b>	70 Meters @ Europe 50 Meters @ USA

## Safety Information



This product should be installed, and connected only by a qualified professional.

Use the appropriate wire gauge for the daisy chain connections. The wire gauge should be selected based on the maximum current flowing through the circuit to prevent excessive voltage drop and overheating of the wires.

Plan the cable routing carefully to avoid sharp bends or kinks that may damage the cables or affect their waterproofing.

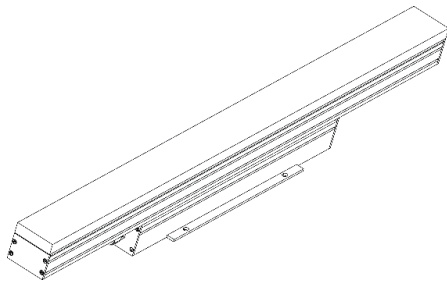
Never cut, connect or join wires while product is connected to a live power source.

Luminaire must be earthed.

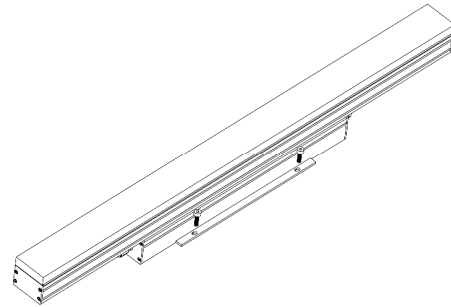
Installation / operation that has been improperly modified, adjusted, repaired or any alternations invalidates warranty.

## Hardware Installation (Fixed Mounting)

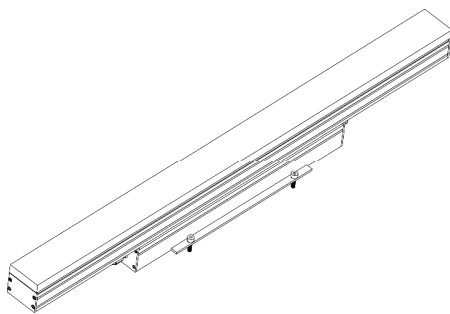
1) Position the fixture at the desired location.



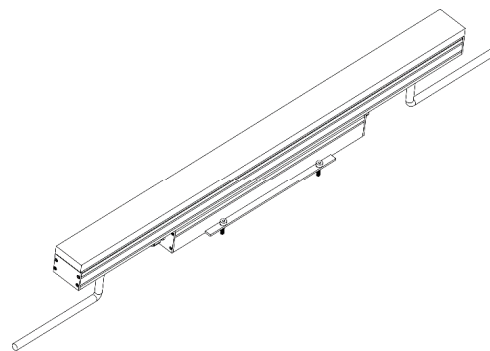
2) Ensure the fixture is securely fixed by fastening the screws through the screw holes on the flange located on the side.



3) The fixture has been placed at the desired location.

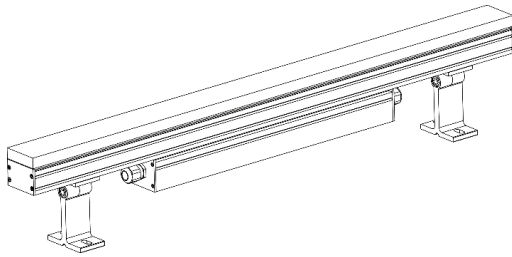


4) Connect the input cable to the AC Mains. Daisy-chain the connector on the opposite end to the next fixture if desired.

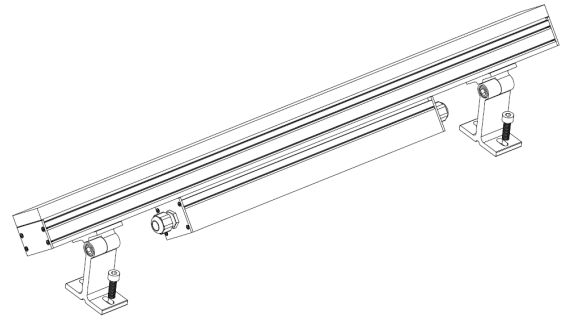


## Hardware Installation (Adjustable Mounting)

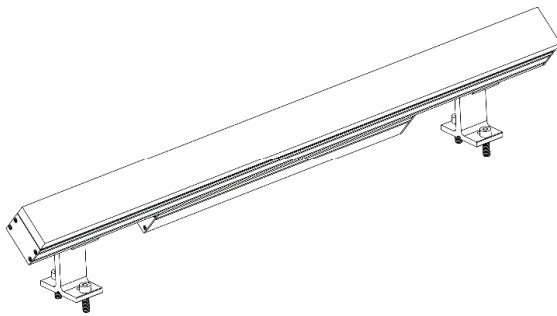
1) Position the fixture at the desired location.



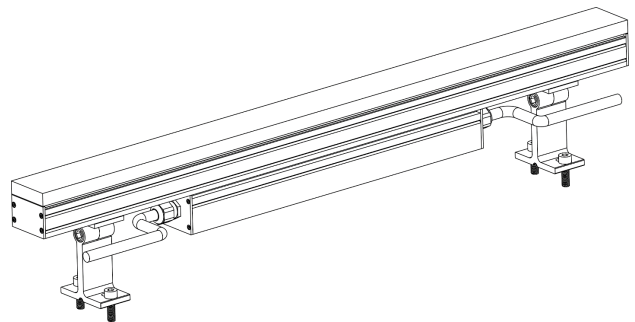
2) Rotate the fixture onto its side and firmly secure it in place by fastening the screws through the screw holes on one side of the adjustable stand.



3) Rotate the fixture in the opposite direction and secure it by fastening the screws on the other side of the adjustable stand.

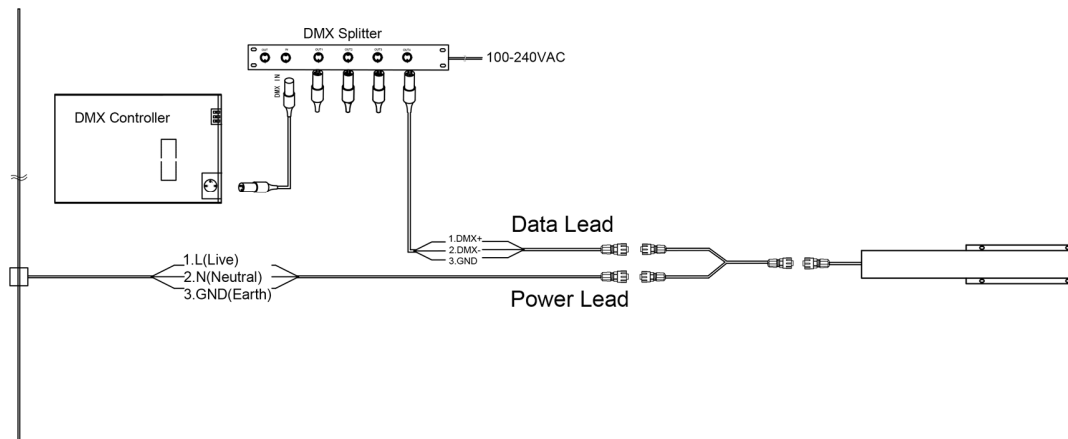


4) Connect the input cable to the AC Mains. Daisy-chain the connector on the opposite end to the next fixture if desired.



## Connection

Mains AC 220-240V ~Europe  
Mains AC 120 ~USA



## Statement of Limited Warranty

### **Disclaimer of Warranty:**

Lumilime products have been tested and manufactured to the highest quality standards. The limited warranty offered by Lumilime covers defects in materials and workmanship for the period of 5 years a specified from the date of purchase (Period maybe be different for customized item, please consult the sales representative for final confirmation). The determination of whether the product is defective shall be made by Lumilime. Lumilime will be repair replace the defective products at no charge if a product has been determined to be defective in its materials or workmanship. Lumilime reserves the right to use similar, new, repaired, or remanufactured product or parts as part of the Limited Product Warranty process. This warranty is expressly limited to the repair or replacement of the product. The aggregate remedy for any claim shall not exceed the total amount of the purchase price for the defective product. Lumilime shall not be liable for any incidental or consequential damages in connection with or arising out of the use of the products.

### **WARRANTY PERIOD:**

The voluntary warranty lasts for 5 year for standard items and maybe shorter for customized products (Please refer to "remark" in the proforma invoice). The Warranty period begins on the date of original shipment

### **WARRANTY PROTECTION:**

#### **This limited warranty does not apply where:**

- Products that have been improperly modified, adjusted, repaired or any alterations.
- Products that are damaged due to improper installation or connection not in accordance with the product wiring diagram.
- Products that have been improperly modified, adjusted, repaired or any alterations
- Damage from any "Acts of God" includes floods, lightning, landslides, earthquakes, tornadoes, hurricanes and wildfires. Products used in an inappropriate location or in environmental conditions (temperature, humidity, moisture, etc.) outside the normal specified range.
- Electrical power surges and spikes.
- Products used in connection with any components, devices or systems other than those explicitly approved as compatible with company's product which listed in the production specification sheets.

#### *Noted:*

*No distributor or supplier of Lumilime has the authority to modify or amend this Limited Warranty. This warranty may not by transferred or assigned by the original end user.*