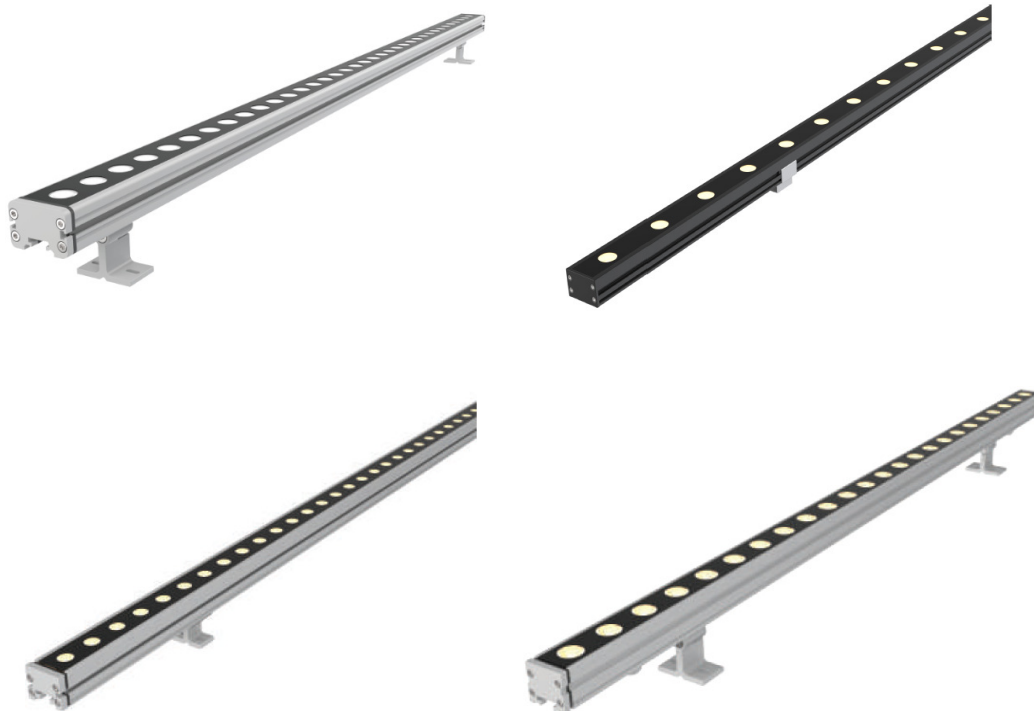


INSTRUCTIONS MANUAL



Remark:

Please note that this installation manual solely provides guidelines for the hardware installation. For information regarding the maximum run length and wiring details, kindly refer to the datasheet or wiring diagram of the relevant product.

DC Wallwasher

Installation Guide

Safety Information



This product should be installed, and connected only by a qualified professional.

Do not connect directly to high voltage power (100-277V). Use only with 24VDC constant voltage power supply.

Be certain the 24VDC source, RGBW controller and wire gauge is suffice for power load. Recommended load for power supplies is 80%.

Never cut, connect or join wires while product is connected to a live power source.

Luminaire must be earthed.

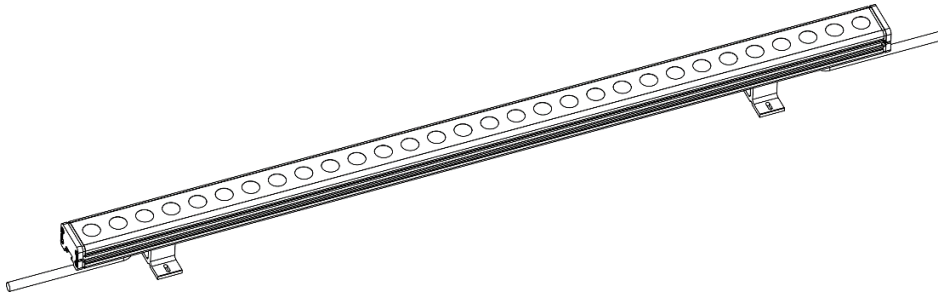
Installation / operation that has been improperly modified, adjusted, repaired or any alternations invalidates warranty.

DC Wallwasher

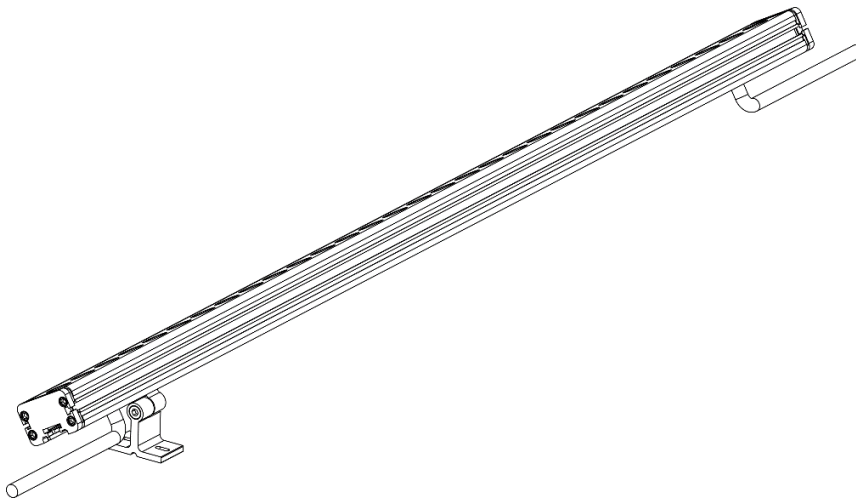
Installation Guide

Hardware Installation

- 1) Position the fixture at the desired location.



- 2) Rotate the fixture onto one side..

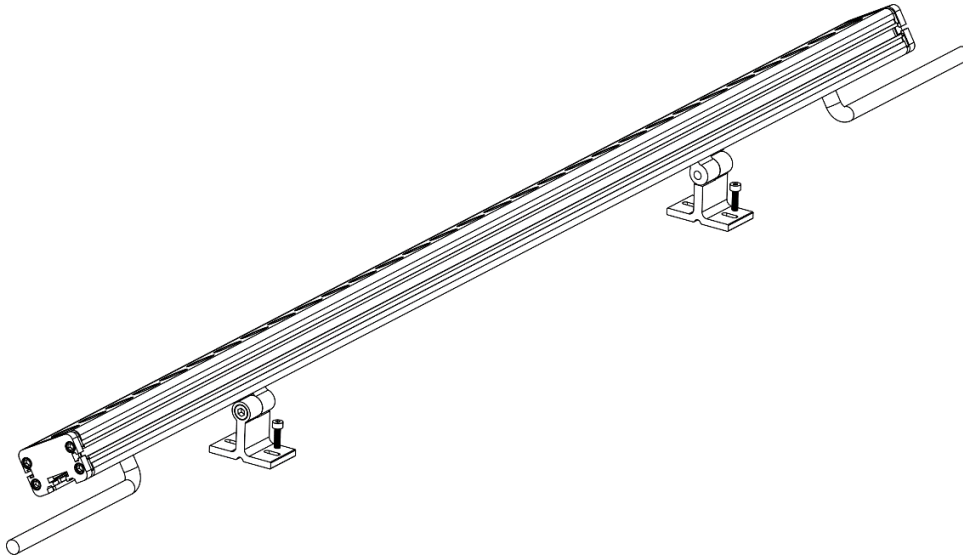


DC Wallwasher

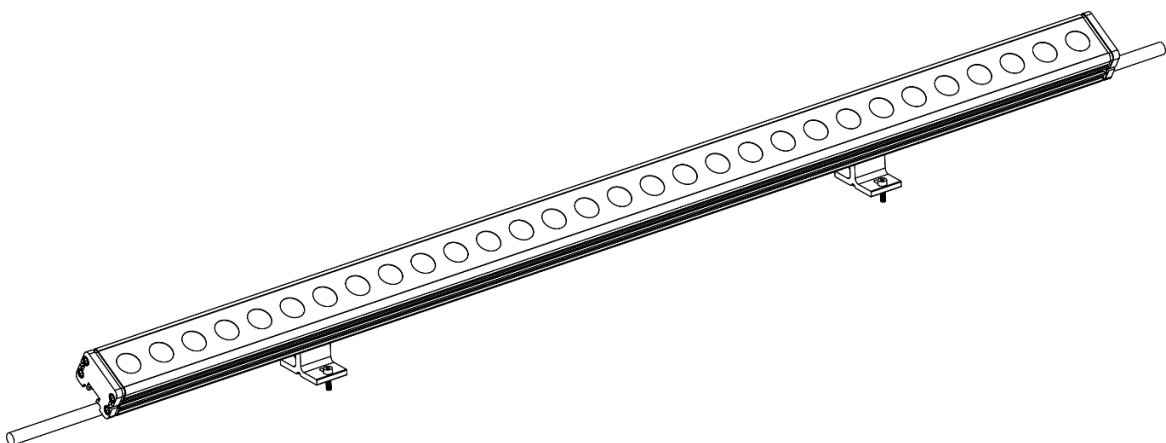
Installation Guide

Hardware Installation (Con't)

- 3) Firmly secure it in place by fastening the screws through the screw holes on one side of the adjustable bracket.



- 4) Rotate the fixture in the opposite direction and fasten the screws on the other side of adjustable bracket.

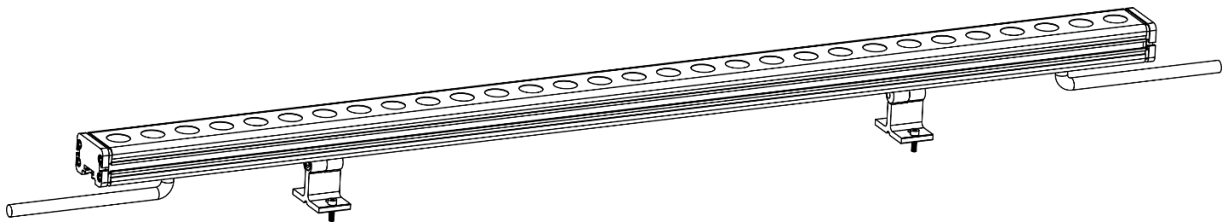


DC Wallwasher

Installation Guide

Hardware Installation (Con't)

- 5) **Connect input cable to the 24V constant voltage power supply. Daisy-chain the connector on the opposite end to the next fixture if desired.**

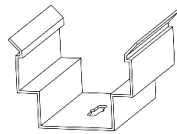


DC Wallwasher

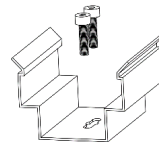
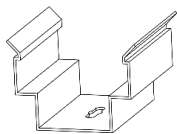
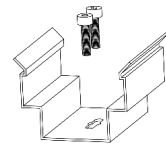
Installation Guide

Hardware Installation (Snap Clip)

1) Position the snap clip at the desired location.

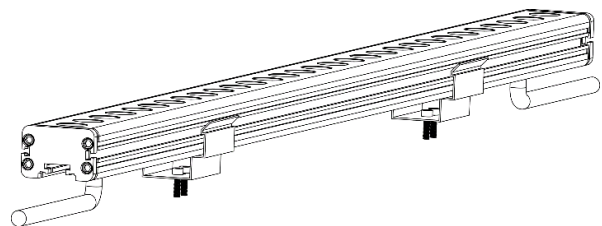
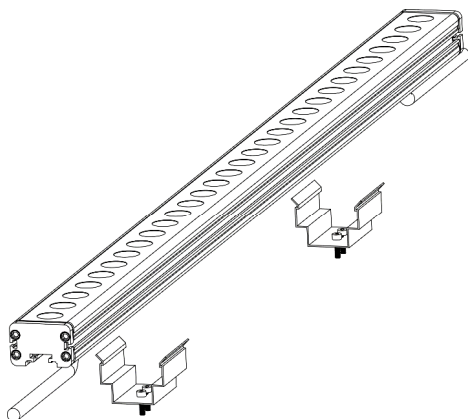


2) Ensure the snap clip is securely fixed by fastening the screws through the screw holes on the mounting brackets



2) Press the fixture downward onto the snap clip until it is securely fastened.

2) Connect input cable to the 24V constant voltage power supply. Daisy-chain the connector on the opposite end to the next fixture if desired.

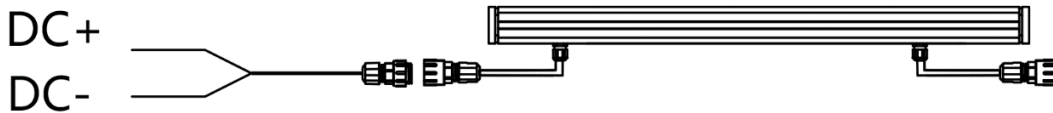


DC Wallwasher

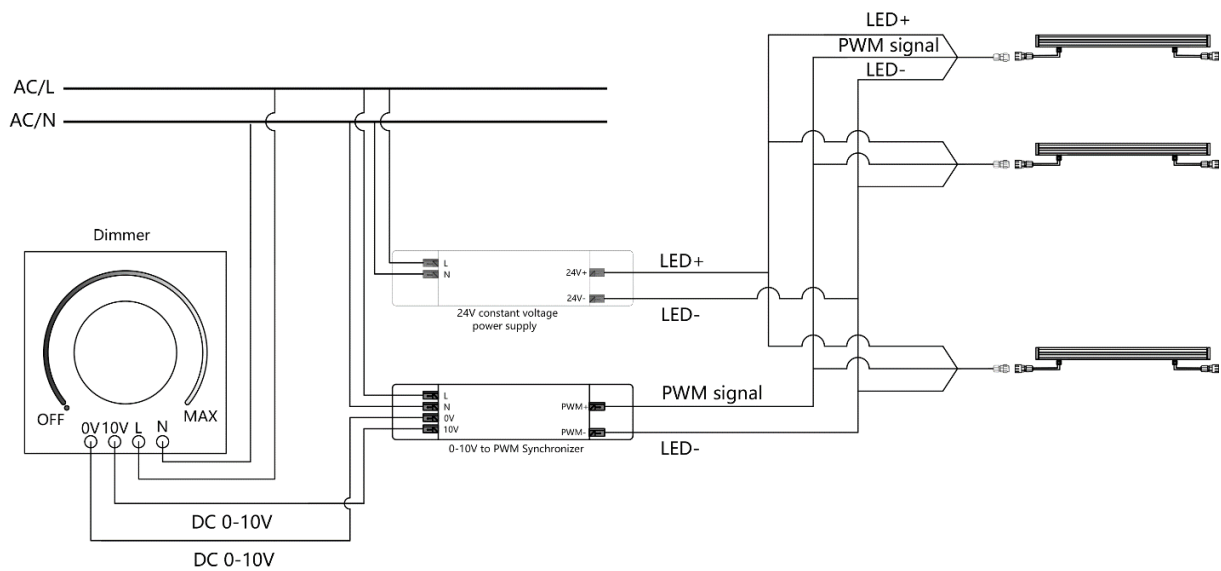
Installation Guide

Connections (Static White)

Leading wiring (Static White with standard dimming and ON/OFF):



Leading wiring (0-10V with dimming synchronizer):

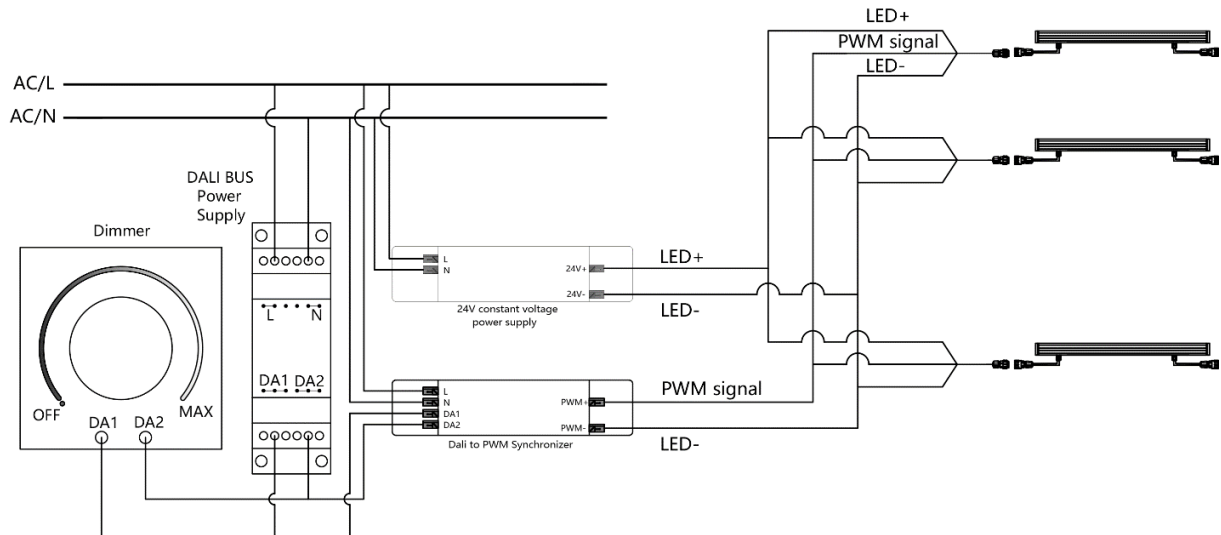


DC Wallwasher

Installation Guide

Connections (Static Whit) Con't

Leading wiring (DALI with dimming synchronizer):



The core in the power and data cable are colored according to the following table:

ON/OFF, 0-10V, DALI, and TRIAC:

Cable	Dimming	Function	Core(US)	Wire Size	Core(EU)	Wire Size
Power lead in	ALL	DC+	Red	16AWG	Brown	1.0mm ²
		DC-	Black	16AWG	Blue	1.0mm ²

High Efficiency Dimming Version (0-10V and DALI):

Cable	Dimming	Function	Core(US)	Wire Size	Core(EU)	Wire Size
Power lead in	0-10, DALI	DC+	Red	20AWG	Brown	0.75mm ²
		DC-	Black	20AWG	Blue	0.75mm ²
		PWM	Yellow/Green	20AWG	Yellow/Green	0.75mm ²

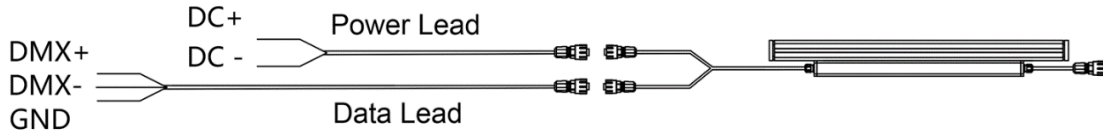
* It is recommended to use Lumilime's dimming synchronizer for PWM version

DC Wallwasher

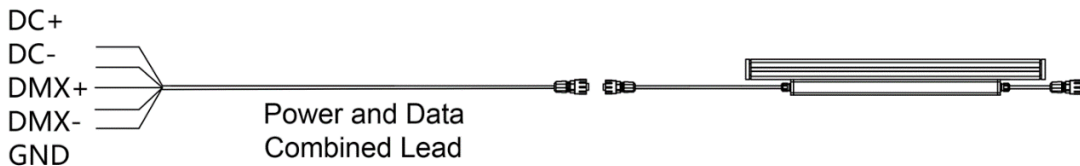
Installation Guide

Connections (DMX/RDM)

Leading wiring (Decolene Series):



Leading wiring (Decolene Mini and Dcolene Slim Series):



The core in the power and data cable are colored according to the following table:

Power Cable:

Cable	Dimming	Function	Core(US)	Wire Size	Core(EU)	Wire Size
Power lead in	ALL	DC+	Red	16AWG	Brown	1.0mm ²
		DC-	Black	16AWG	Blue	1.0mm ²

Data Cable:

Cable	Dimming	Function	Core(US)	Wire Size	Core(EU)	Wire Size
Data lead in	DMX/RDM	DMX +	Purple	20AWG	Purple	0.5mm ²
		DMX -	Pink	20AWG	Pink	0.5mm ²
		GND	Yellow	20AWG	Yellow	0.5mm ²

Data Cable:

Cable	Dimming	Function	Core(EU)	Wire Size
Power and Data combined lead in	DMX/RDM	DC+	Red	1.0mm ²
		DC-	Black	1.0mm ²
		DMX +	Yellow	0.5mm ²
		DMX -	Blue	0.5mm ²
		GND	Green	0.5mm ²

DC Wallwasher

Installation Guide

Statement of Limited Warranty

Disclaimer of Warranty:

Lumilime products have been tested and manufactured to the highest quality standards. The limited warranty offered by Lumilime covers defects in materials and workmanship for the period of 5 years a specified from the date of purchase (Period maybe be different for customized item, please consult the sales representative for final confirmation). The determination of whether the product is defective shall be made by Lumilime. Lumilime will be repair replace the defective products at no charge if a product has been determined to be defective in its materials or workmanship. Lumilime reserves the right to use similar, new, repaired, or remanufactured product or parts as part of the Limited Product Warranty process. This warranty is expressly limited to the repair or replacement of the product. The aggregate remedy for any claim shall not exceed the total amount of the purchase price for the defective product. Lumilime shall not be liable for any incidental or consequential damages in connection with or arising out of the use of the products.

WARRANTY PERIOD:

The voluntary warranty lasts for 5 year for standard items and maybe shorter for customized products (Please refer to “remark” in the proforma invoice). The Warranty period begins on the date of original shipment

WARRANTY PROTECTION:

This limited warranty does not apply where:

- Products that have been improperly modified, adjusted, repaired or any alterations.
- Products that are damaged due to improper installation or connection not in accordance with the product wiring diagram.
- Products that have been improperly modified, adjusted, repaired or any alterations
- Damage from any “Acts of God” includes floods, lightning, landslides, earthquakes, tornadoes, hurricanes and wildfires. Products used in an inappropriate location or in environmental conditions (temperature, humidity, moisture, etc.) outside the normal specified range.
- Electrical power surges and spikes.
- Products used in connection with any components, devices or systems other than those explicitly approved as compatible with company’s product which listed in the production specification sheets.

Noted:

No distributor or supplier of Lumilime has the authority to modify or amend this Limited Warranty. This warranty may not by transferred or assigned by the original end user.

