

## INSTRUCTIONS MANUAL



### Specifications:

<b>Series</b>	<b>DLF SW</b>
<b>Input Voltage</b>	48V and 100-277V with PDI
<b>Power</b>	200W
<b>IP Rating:</b>	IP66
<b>Operating Temp:</b>	10°C to 50°C
<b>Max. Power Linking</b>	6 fixtures with PDI

## Safety Information



This product should be installed, and connected only by a qualified professional.

Use the appropriate wire gauge for the daisy chain connections. The wire gauge should be selected based on the maximum current flowing through the circuit to prevent excessive voltage drop and overheating of the wires..

Plan the cable routing carefully to avoid sharp bends or kinks that may damage the cables or affect their waterproofing.

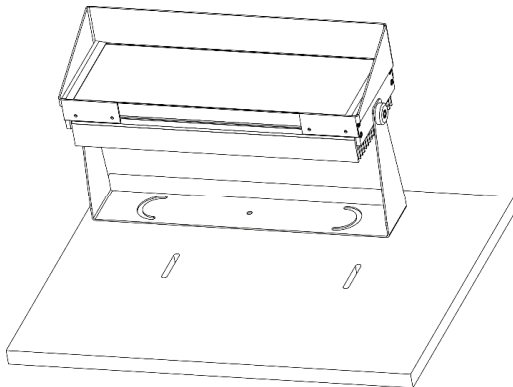
Never cut, connect or join wires while product is connected to a live power source.

Luminaire must be earthed.

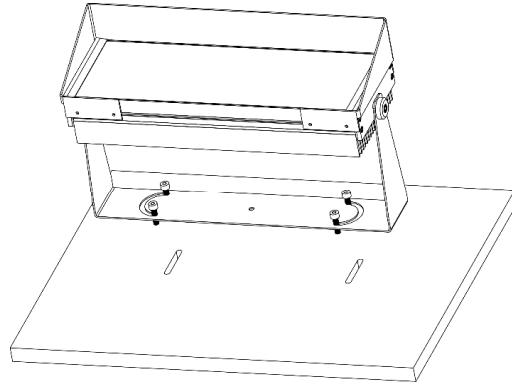
Installation / operation that has been improperly modified, adjusted, repaired or any alternations invalidates warranty.

## Hardware Installation

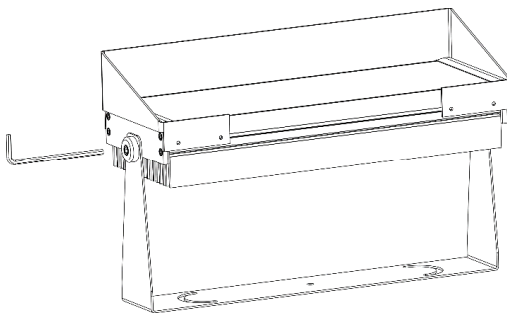
1) Position the fixture at the desired location.



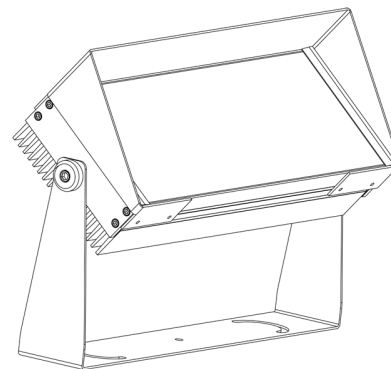
2) Ensure the fixture is securely fixed by fastening the screws through the screw holes on the mounting brackets



3) To adjust the angle of the bracket, use an Allen key to loosen the hex bolts on the sides.

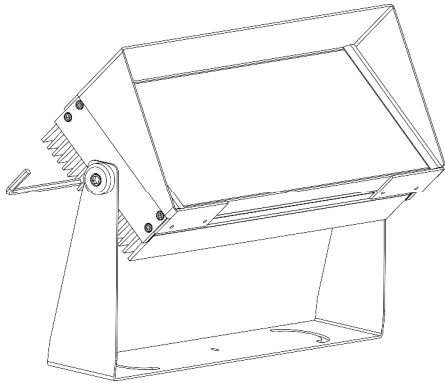


4) Adjust the fixture to the desired angle by rotating it.

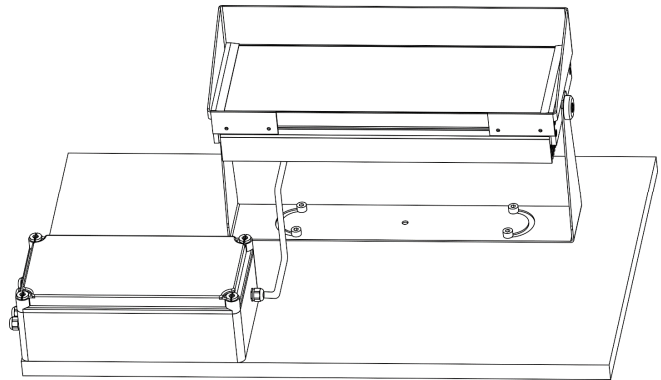


## Hardware Installation (Con't)

5) Retighten the hex bolts once at the desired angle.

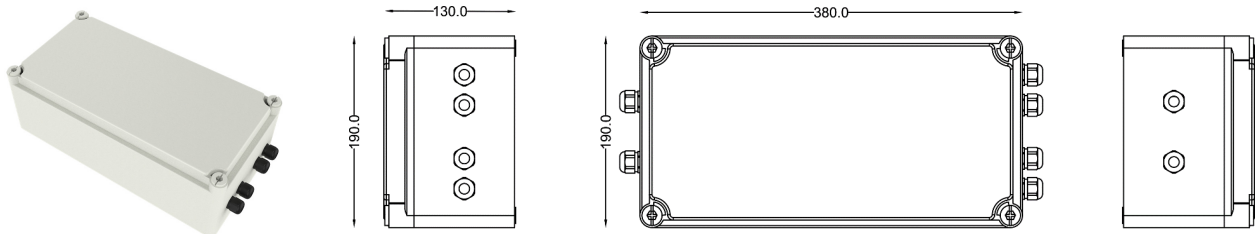


6) Connect the fixture to the Power Data Interface Box (PDI)



## Power Data Interface Box

ITEM: PDI-DMX-APOLLO-V1, PDI-RDM-APOLLO-V1

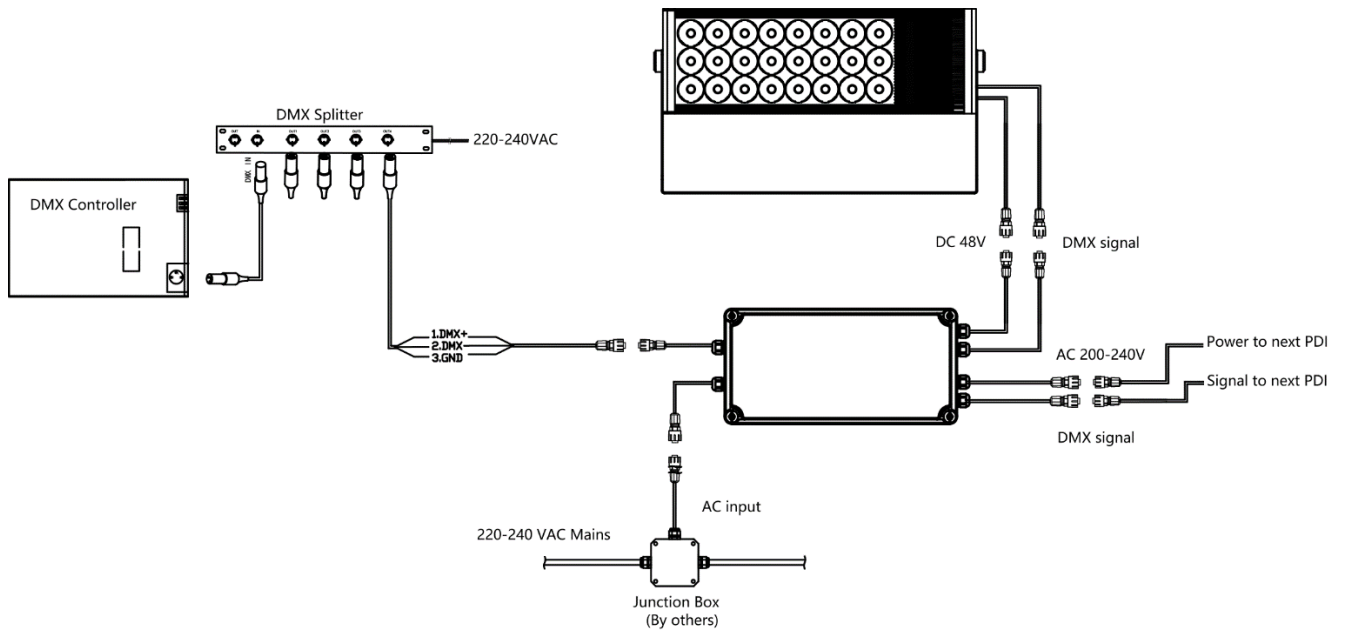


**Description:** The power and data interface box (PDI) provides power and DMX/RDM signal for Apollo RGBW Combined Flood. It is designed to join power and data for a daisy chain. Designed to increase flexibility and simplify the wiring process, the IP65-rated control box features a safety enclosure. With the build-in surge power protection and fused terminal block, the PDI is able to protect the luminaire from unwanted power surges and ensure secure circuit protection.

IN/OUT TYPE	LABEL	DESCRIPTION
INPUT	POWER IN (3pin)	Power input with AC100-277V
	DMX IN (3pin)	DMX/RDM signal input from the controller or from PDI
OUTPUT	DC OUT (8pin)	Output to Apollo (48V)
	DMX OUT (3pin)	DMX/RDM signal out to Apollo
	POWER OUT (3pin)	Power input with AC100-277V to next PDI in the daisy chain
	DMX OUT (3pin)	DMX/RDM signal out to next PDI in the daisy chain

## Connection

### Connection Schematic:



## Statement of Limited Warranty

### **Disclaimer of Warranty:**

Lumilime products have been tested and manufactured to the highest quality standards. The limited warranty offered by Lumilime covers defects in materials and workmanship for the period of 5 years as specified from the date of purchase (Period may be different for customized item, please consult the sales representative for final confirmation). The determination of whether the product is defective shall be made by Lumilime. Lumilime will repair or replace the defective products at no charge if a product has been determined to be defective in its materials or workmanship. Lumilime reserves the right to use similar, new, repaired, or remanufactured product or parts as part of the Limited Product Warranty process. This warranty is expressly limited to the repair or replacement of the product. The aggregate remedy for any claim shall not exceed the total amount of the purchase price for the defective product. Lumilime shall not be liable for any incidental or consequential damages in connection with or arising out of the use of the products.

### **WARRANTY PERIOD:**

The voluntary warranty lasts for 5 years for standard items and may be shorter for customized products (Please refer to "remark" in the proforma invoice). The Warranty period begins on the date of original shipment.

### **WARRANTY PROTECTION:**

**This limited warranty does not apply where:**

- Products that have been improperly modified, adjusted, repaired or any alterations.
- Products that are damaged due to improper installation or connection not in accordance with the product wiring diagram.
- Products that have been improperly modified, adjusted, repaired or any alterations.
- Damage from any "Acts of God" includes floods, lightning, landslides, earthquakes, tornadoes, hurricanes and wildfires. Products used in an inappropriate location or in environmental conditions (temperature, humidity, moisture, etc.) outside the normal specified range.
- Electrical power surges and spikes.
- Products used in connection with any components, devices or systems other than those explicitly approved as compatible with company's product which listed in the production specification sheets.

*Noted:*

*No distributor or supplier of Lumilime has the authority to modify or amend this Limited Warranty. This warranty may not be transferred or assigned by the original end user.*