

PRODUCT SPECIFICATION

Apollo

Flood Light
RGBW Combined Source



Date: _____ Quantity: _____

Company: _____

Project: _____

Apollo RGBW is a very high performance flood light featuring a super narrow beaming of 8°, The unique optic design and spread lens allow user to adapt the floodlight extremely versatile in support multiple beam angle options ensure the floodlight extremely versatile in supporting to a variety of architecture applications.



Features

Color and Color Temperature	RGBW 4-in-1 with W in 4000K, 6500K
Dimension	L=615mm x W=89mm x H=615mm (with mounting brackets)
Optics	8°, 15°, 23°

Mechanical Specifications

Housing Material	High density 6063 extruded aluminium
Lens Material	Optical grade PMMA
Surface Finishing	Powder coating available in Black (RAL 9011), Dark Grey (RAL 7012)

Electrical Specifications

Voltage	DC48V
Power Consumption	200W
Lumen Maintenance	L70 50,000hrs @25°C

Environment

Storage Temperature	-30°C to 60°C
Operating Temperature	-10°C to 50°C
Ingress Protection Rating	IP66



Support: Info@lumilime.com

Edition: 2023 Q4

System Comet Limited reserves the right to make changes to this product without prior notice. Please consult factory for the most updated version.

PRODUCT SPECIFICATION

Apollo

Flood Light

RGBW Combined Source

Cable Conductor Specifications

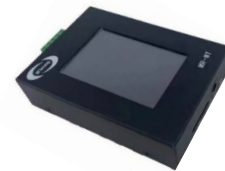
The core in the power and data cable are colored according to the following table:

Cable	Function	Core(EU)	Wire Size
Power lead in and loop out (to PDI)	L (live)	Brown	1.3mm ²
	N (Neutral)	Blue	1.3mm ²
	GND (Earth)	Yellow/Green	1.3mm ²
Data lead in and loop out (to PDI and Apollo)	DMX+	Purple	0.5mm ²
	DMX-	Pink	0.5mm ²
	GND	Yellow	0.5mm ²
Power loop out	DC+	Brown	1.0mm ²
	DC-	Blue	1.0mm ²

DMX/RDM Address Writer and Tester (Order Separately)

ITEM: MR-WT25

Handheld address that allocate the DMX channel addresses on a single branch. It supports SD memory cards, scene file in which offline data can be stored.



ITEM: DMXcat™

City Theatrical's DMXcat™ system is designed by the lighting professional who is involved with the planning, installation, operation, or maintenance of theatrical and studio lighting equipment. The system consists of a small hardware interface device and a suite of mobile applications.



PRODUCT SPECIFICATION

Apollo

Flood Light

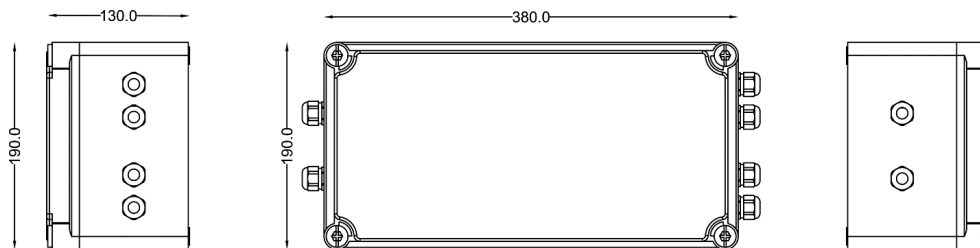
RGBW Combined Source

Power Data Interface Box (Order Separately)

ITEM: PDI-DMX-APOLLO-V1, PDI-RDM-APOLLO-V1



Description: The power and data interface box (PDI) provides power and DMX/RDM signal for Apollo RGBW Combined Flood. It is designed to join power and data for a daisy chain. Designed to increase flexibility and simplify the wiring process, the IP65-rated control box features an safety enclosure. With the build-in surge power protection and fused terminal block, the PDI is able to protect the luminaire from unwated power surges and ensure secure circuit protection.



IN/OUT TYPE	LABEL	DESCRIPTION
INPUT	POWER IN (3pin)	Power input with AC100-277V
	DMX IN (3pin)	DMX/RDM signal input from the controller or from PDI
OUTPUT	DC OUT (8pin)	Output to Apollo (48V)
	DMX OUT (3pin)	DMX/RDM signal out to Apollo
	POWER OUT (3pin)	Power input with AC100-277V to next PDI in the daisy chain
	DMX OUT (3pin)	DMX/RDM signal out to next PDI in the daisy chain

PRODUCT SPECIFICATION

Apollo

Flood Light

RGBW Combined Source

Connecting Accessories (Order Separately)

Part Number	Length (mm)	Application	Cable END		Conductor Size
ECACL-003 -2pin-EU	300	DC Power Extension (from PDI to Apollo)	Female	Male	2 x 1.0mm ²
ECACL-006 -2pin-EU	600				
ECACL-018 -2pin-EU	1800				
EDACF-300-3pin-EU	300	AC Power Lead (from AC Terminal to the first PDI in the daisy chain)	Female	Bare Wire	3 x 1.3mm ²
EDACF -1800-3pin-EU	1800				
EDACF -6000-3pin-EU	6000				
EDACF -15000-3pin-EU	15000				
ECDCL-003-3pin-EU	300	AC Power Extension (between PDIs)	Female	Male	3 x 1.0mm ²
ECDCL-006-3pin-EU	600				
ECDCL-018 -3pin-EU	1800				
ECDCF(Shield)-300-EU	300	Data Lead (from DMX/RDM controller to the first PDI in the daisy chain)	Female	Bare Wire	3 x 0.5mm ²
ECDCF(Shield)-1800-EU	1800				
ECDCF(Shield)-6000-EU	6000				
EDDCF(Shield)-15000-EU	15000				
ECDCL(Shield)-003-EU	300	Data Extension	Female	Male	
ECDCL(Shield)-006-EU	600				
EDDCL(Shield)-018-EU	1800				

IP Rated End Cap

Part Number: ENDCAP-AC-3pin

Description: End cap for power loop out from PDI



IP Rated DMX Terminator

Part Number: DMX-Term-DC-3pin

Description: IP rated DMX terminator with build-in 120 ohm resistor



PRODUCT SPECIFICATION

Apollo

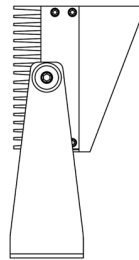
Flood Light

RGBW Combined Source

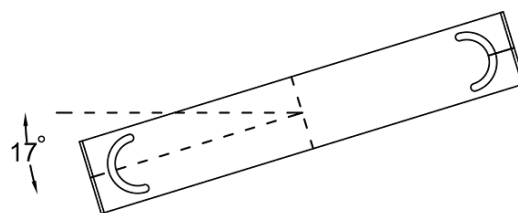
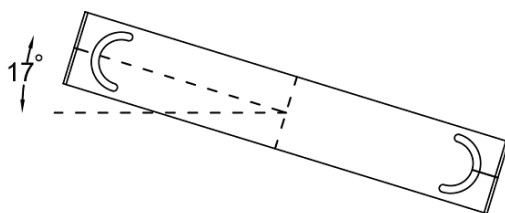
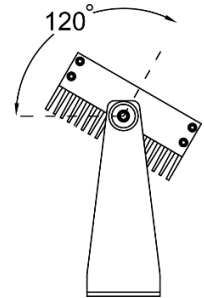
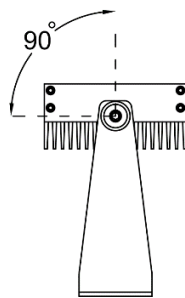
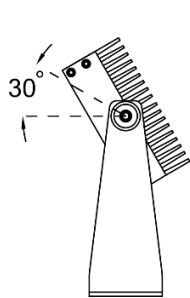
Antiglare Accessory (Order Separately)

Part Number: AGS-APOLLO

Description: Anti-glare shield for Apollo RGBW Combined Flood Light



Bending Strength



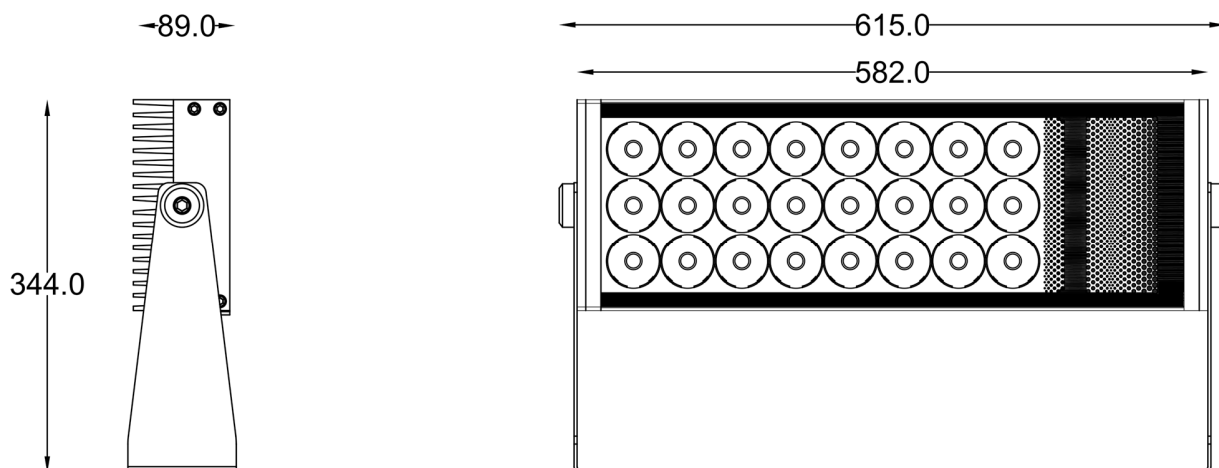
PRODUCT SPECIFICATION

Apollo

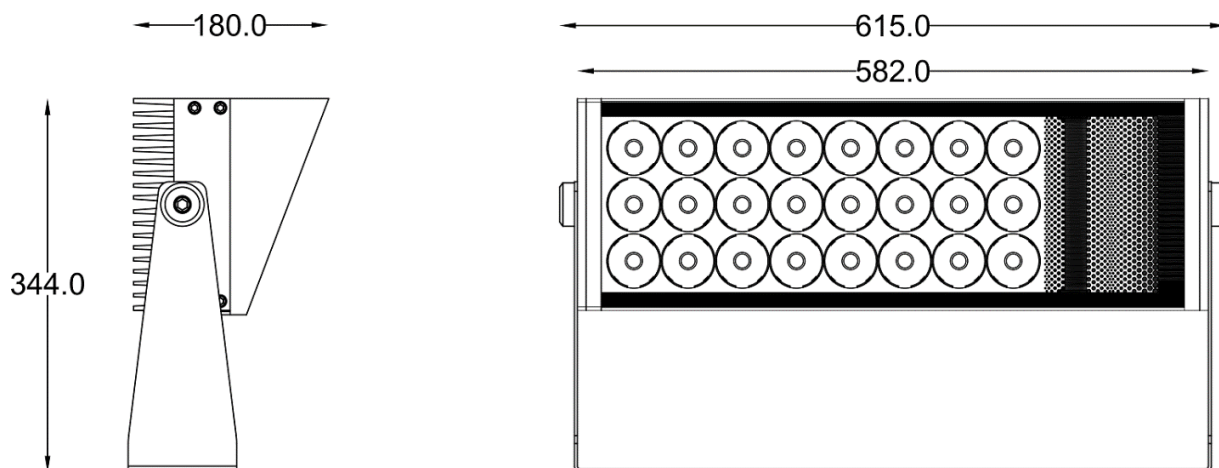
Flood Light

RGBW Combined Source

Dimensions



Dimension with Anti-glare shield:



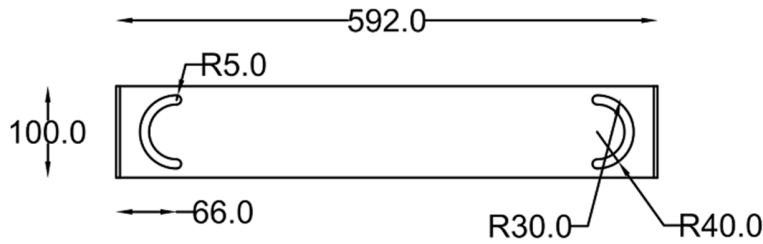
PRODUCT SPECIFICATION

Apollo

Flood Light

RGBW Combined Source

Mounting Pattern



Luminaire Order Information

Example: ACS.14(65).08-DMX.PB

1 2 3 4

Series	CCT	Optic	Control	Finish
ACS: Apollo Series	14 (40): RGBW with W in 4000K	08: 8° 15: 15°	DMX: DMX RDM: RDM	PB: RAL9011 (Black) DG: RAL7012(Dark Grey)
	14 (65): RGBW with W in 6500K	23: 23°		

**Customized
optic
available*

**Customized coating available
Anti corrosive coating available

Statement of Limited Warranty

Disclaimer of Warranty:

Lumilime products have been tested and manufactured to the highest quality standards. The limited warranty offered by Lumilime covers defects in materials and workmanship for the period of 5 years a specified from the date of purchase (Period maybe be different for customized item, please consult the sales representative for final confirmation). The determination of whether the product is defective shall be made by Lumilime. Lumilime will be repair replace the defective products at no charge if a product has been determined to be defective in its materials or workmanship. Lumilime reserves the right to use similar, new, repaired, or remanufactured product or parts as part of the Limited Product Warranty process. This warranty is expressly limited to the repair or replacement of the product. The aggregate remedy for any claim shall not exceed the total amount of the purchase price for the defective product. Lumilime shall not be liable for any incidental or consequential damages in connection with or arising out of the use of the products.

WARRANTY PERIOD:

The voluntary warranty lasts for 5 year for standard items and maybe shorter for customized products (Please refer to “remark” in the proforma invoice). The Warranty period begins on the date of original shipment

WARRANTY PROTECTION:

This limited warranty does not apply where:

- Products that have been improperly modified, adjusted, repaired or any alterations.
- Products that are damaged due to improper installation or connection not in accordance with the product wiring diagram.
- Products that have been improperly modified, adjusted, repaired or any alterations
- Damage from any “Acts of God” includes floods, lightning, landslides, earthquakes, tornadoes, hurricanes and wildfires. Products used in an inappropriate location or in environmental conditions (temperature, humidity, moisture, etc.) outside the normal specified range.
- Electrical power surges and spikes.
- Products used in connection with any components, devices or systems other than those explicitly approved as compatible with company’s product which listed in the production specification sheets.

Noted:

No distributor or supplier of Lumilime has the authority to modify or amend this Limited Warranty. This warranty may not by transferred or assigned by the original end user.